

# SUSSEX 550 PEDESTAL LAVATORY

Cat. No.  
3-64X



Faucet not included

W: 21-5/8"  
D: 18-1/8"  
H: 34-1/2"

## Interior Dimensions:

Basin Interior:	16" x 12"
Basin Depth:	8"
Water depth to overflow:	4-1/2"
Back of basin to center of faucet:	2-1/2"
Back of basin to center of drain:	7-1/2"
Mount bolts height:	32"
Mount holes cc:	8-1/2"
Faucet and spout holes:	1-3/8"
Flange:	1-5/8"

## Features:

- ▶ Made of Vitreous China
- ▶ Available for 4" centerset or 8" Widespread
- ▶ IAPMO certified
- ▶ Pre-drilled overflow hole
- ▶ Mounting Hardware Included
- ▶ For ease installation order **Hangers** (pair) or **Bracket** (one)



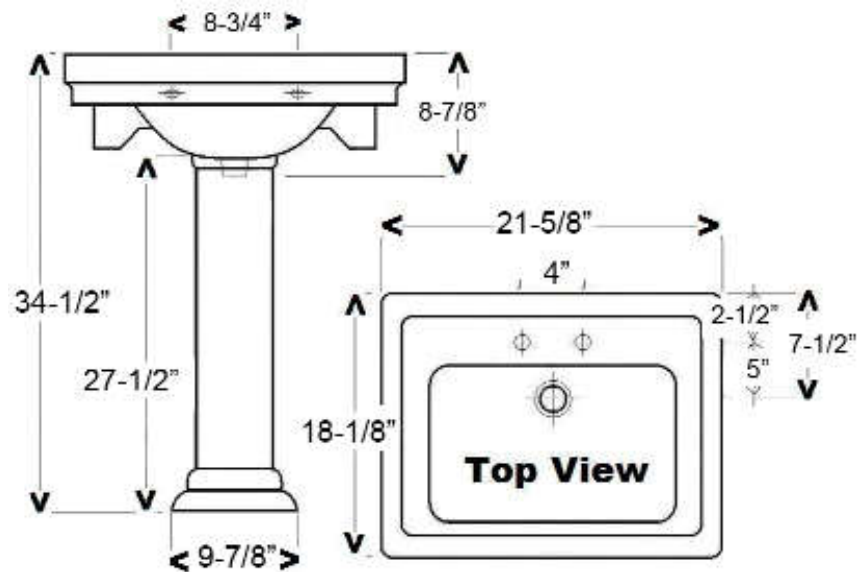
## Colors:

WH White  
BQ Bisque



Mounting hardware

**Compliance Certification**  
Meets or exceeds the following specifications: ASME A112.19.2-2018 and CSA B45.1-18 for ceramic plumbing fixtures.



Dimensions of fixture are nominal and may vary within the range of tolerances established by ASME Standard A112.19.2-2018. Dimensions and specifications subject to change without notice.